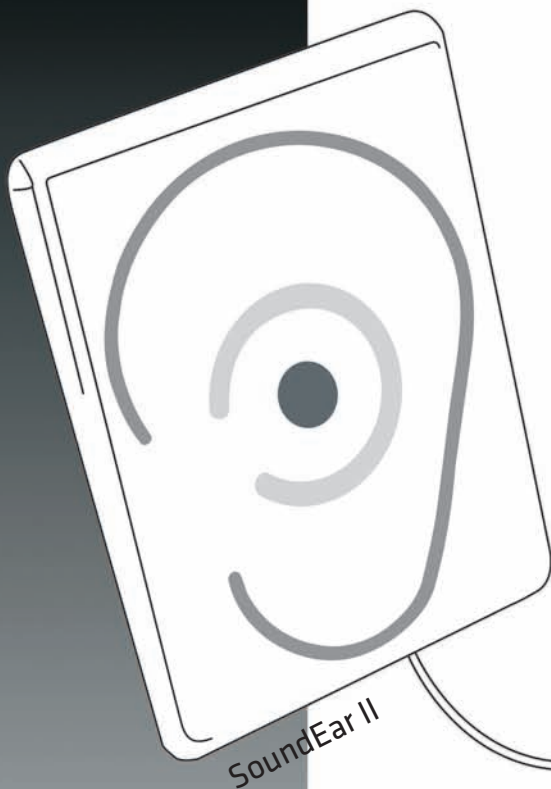


SoundBuster

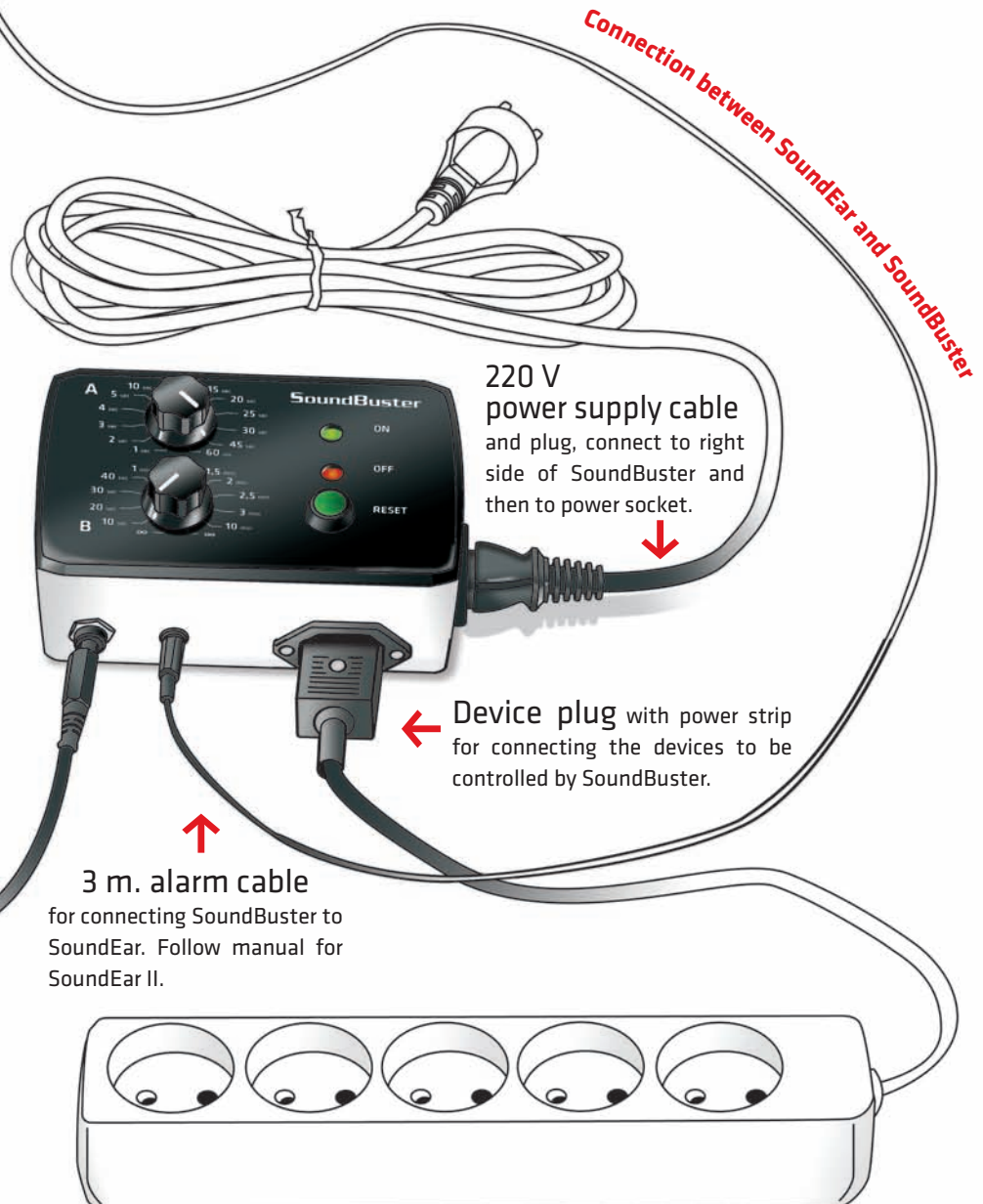
The relay, that when used together with SoundEarII, can be used to control any hi-fi systems, lights etc. connected to it.

SoundBuster can either disconnect or connect the power supply when the preset noise limit on the SoundEar II is exceeded.

Remember to specify which you need when ordering.



SoundEar II



Connection between SoundEar and SoundBuster

220 V power supply cable and plug, connect to right side of SoundBuster and then to power socket.

Device plug with power strip for connecting the devices to be controlled by SoundBuster.

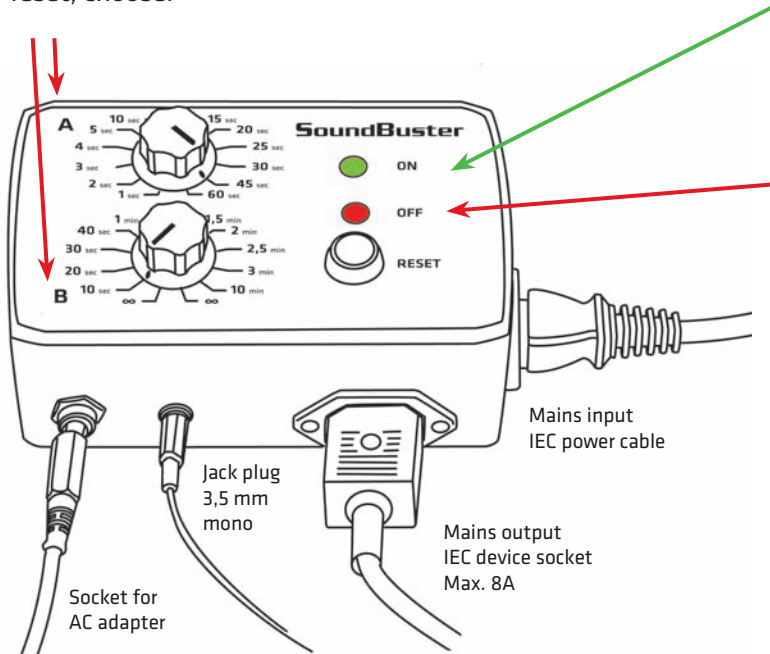
3 m. alarm cable for connecting SoundBuster to SoundEar. Follow manual for SoundEar II.

2.1 m. 24V AC adapter cable and plug, connect to left side of SoundBuster and then to power socket.

Settings dials and LED

On the front panel you will see the following dials:

- A** Use this dial to select action time i.e. how long does the SoundEar's noise limit have to be exceeded (red ear) before the SoundBuster reacts.
- B** Use this dial to select reset time, i.e. how long before SoundBuster automatically resets and restarts. For manual reset, choose: ∞

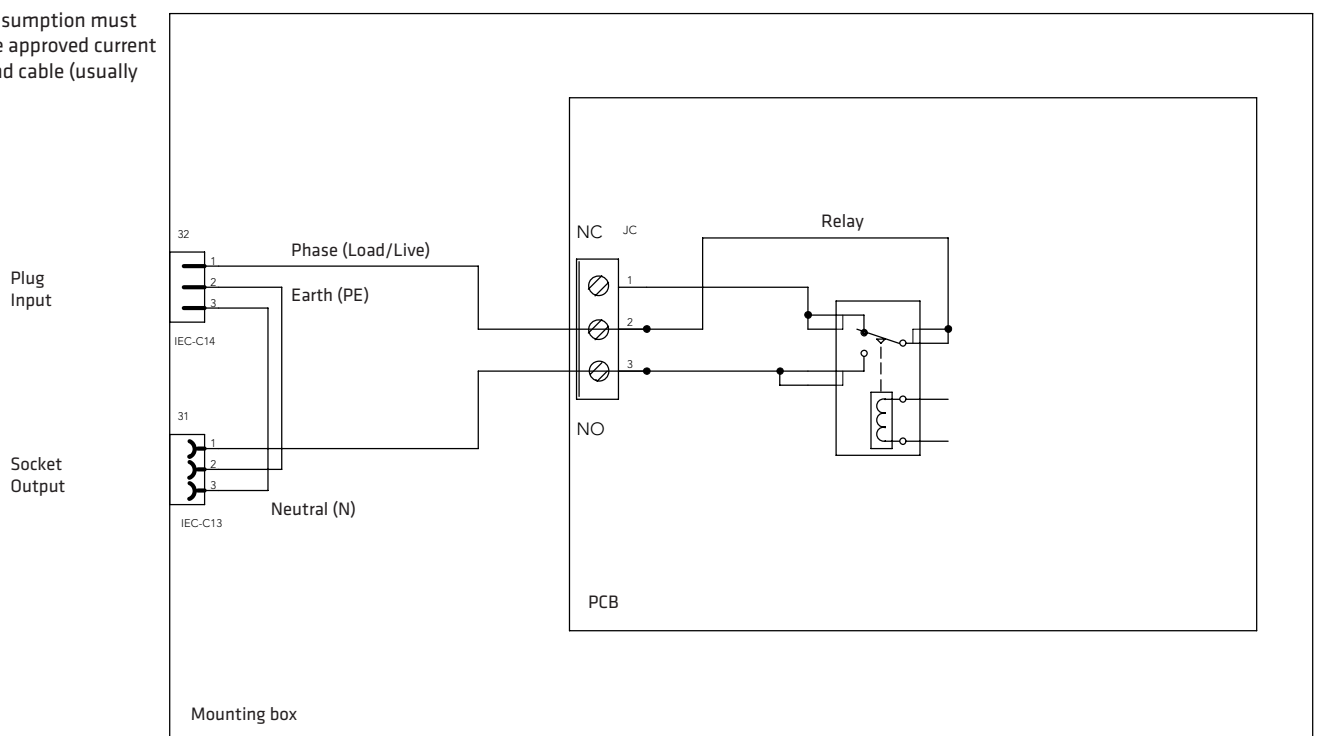


Beskrivelse af LED

- 1. The Green LED lights up** when the SoundBuster is switched on and the alarm cable is connected to a SoundEar that is also switched on, and the noise level is not exceeded.
- 2. The green LED starts to flash** when SoundEar's signal level is exceeded but not the preset time limit on dial A.
- 3. The Red LED lights up** once the noise limit has been exceeded for longer than the preset time limit on dial A. SoundBuster will then reset and restart as long as the noise limit is not exceeded again within the preset time limit on dial B.
- 4. The Red LED will flash** if an alarm occurs after SoundBuster has cut off the power output. (Make sure the alarm cable is connected properly and that the SoundEar is working.)

For professionals / Electrical diagram

The power consumption must not exceed the approved current for the plug and cable (usually 8-10A)



For professionals / Electrical diagram

Cable for external control

Cable entry

Can be used for relay or switch
(pilot current max. 10A)

